



## BA Series I Ball Valve Actuator 10 Nm

2 Points and 3 Points Control



### PRODUCT FEATURES

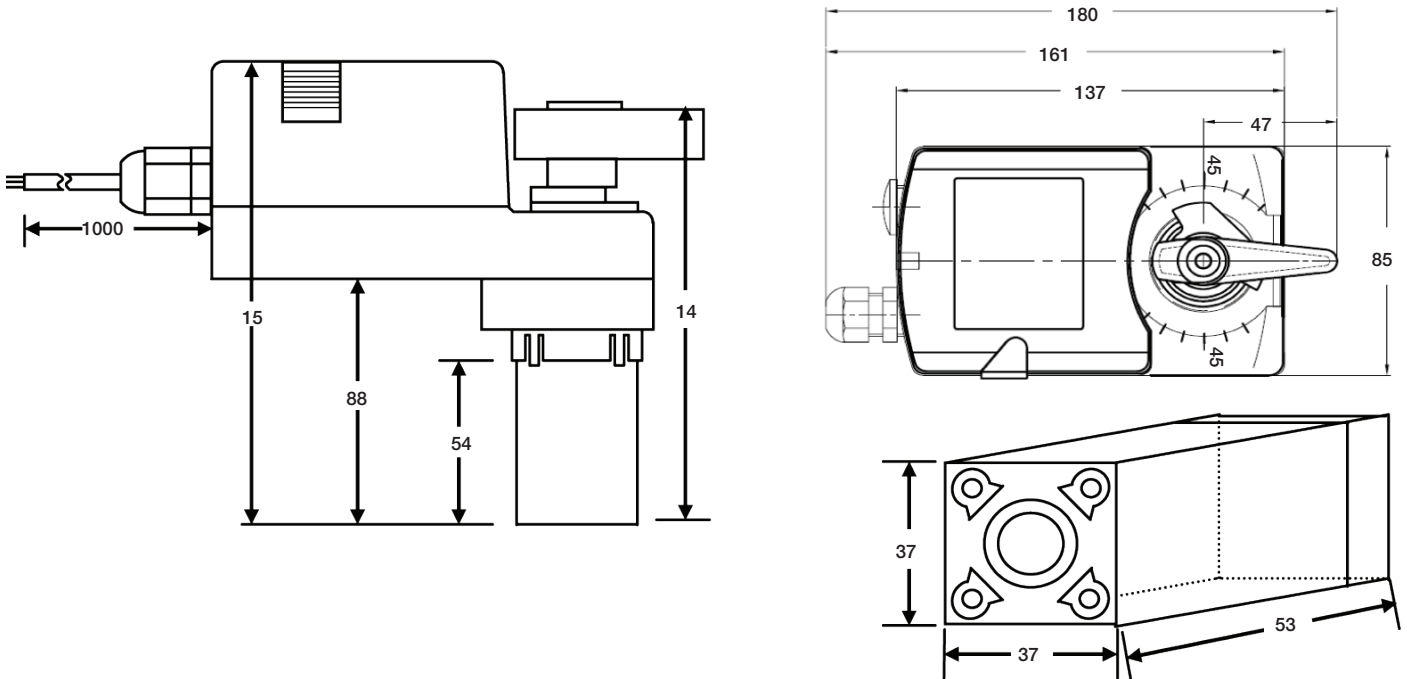
- Torque 10 Nm
- Valve size DN40(1½"), DN50(2")
- Power Supply AC/DC 24 V and AC 230 V
- Control 2 Point and 3 Point
- 1 adjustable auxiliary switch (SPDT)
- Shaft dimensions
  - □ 9.0 mm square (fixed)
- Selectable direction of rotation
- Actuator with 1000 mm cable connection
- Customer version on request

### MODEL SELECTION TABLE

Torque	Running Time	Power Supply	Auxiliary Switch	Model / Type
10 Nm	100...120 sec	AC/DC 24 V ± 10%	No	10BA - 24
10 Nm	100...120 sec	AC/DC 24 V ± 10%	1 x SPDT	10BA - 24S1
10 Nm	100...120 sec	AC 230 V ± 10%	No	10BA - 230
10 Nm	100...120 sec	AC 230 V ± 10%	1 x SPDT	10BA - 230S1

## BA Series I Ball Valve Actuator 10 Nm

2 Points and 3 Points Control



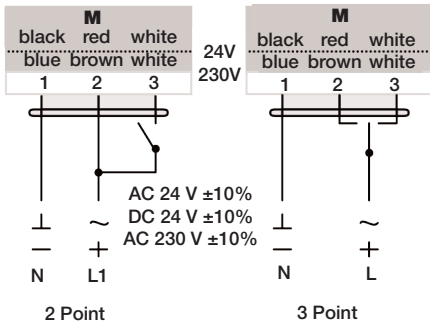
### TECHNICAL SPECIFICATION

	10BA... 24(S1)	10BA... 230(S1)
<b>Torque</b>	10 Nm	
<b>Valve Size</b>	DN40(1½"), DN50(2")	
<b>Shaft dimensions</b>	□ 9.0 mm square (fix)	
<b>Power Supply</b>	AC/DC 24 V ± 10%	AC 230 V ± 10%
<b>Frequency</b>	50...60Hz	
<b>Control Signal</b>	2 point and 3 point	
<b>Power Consumption</b>		
- Operating	6.0 W	
- End Position	◇	4.0 W □
<b>For Wire Sizing</b>	6.5 VA	
<b>Axiliary Switches Rating (Amp and Voltage)</b>	III	3 (1.5) A, AC 250 V
<b>Protection Class</b>	III	II
<b>Angle of Rotation</b>	90° (95° mechanical)	
<b>Angle of Limiting</b>	mechanical end stop	
<b>Weight</b>	< 1.1 Kg	< 1.2 Kg
<b>Life Cycle</b>	60,000 rotation	
<b>Sound Level</b>	40 dB	
<b>IP Protection</b>	IP54 (dust protected & protected against splash water)	
<b>Operating Temperature</b>	-20°...50° as per IEC 721-3-3	
<b>Non-Operating Temperature</b>	-30°...+60° C / IEC 721-3-2	
<b>Ambient Humidity</b>	5%...95% rH non condensing / EN 60730-1	
<b>Maintenance</b>	Maintenance free	
<b>Mode of Operation</b>	Type I / EN 60730-1	
<b>EMC</b>	CE and ISO 9000 EN / EEC... Requirements	

## BA Series | Ball Valve Actuator 10 Nm

2 Points and 3 Points Control

### Wiring Diagram 10BA...(S1) Power Supply AC/DC 24 V - AC 230 V



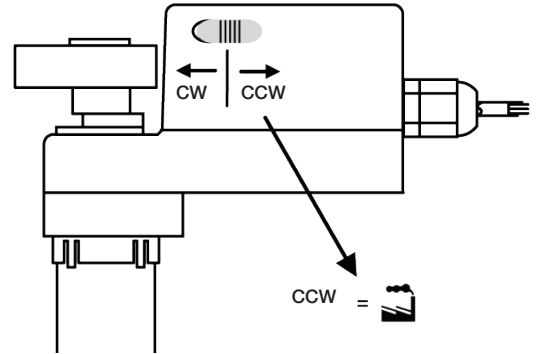
⚠ Connect via safety isolating trans-

### Changing Direction of Rotation 10BA...(S1)

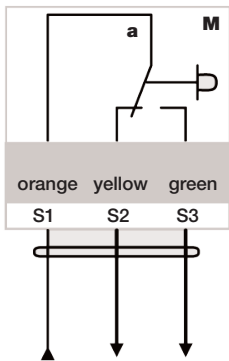
Factory-set CCW!

The direction of rotation can be changed by pushing the CW/CCW switch on the actuator's housing.

Ball valve actuators must operate CCW!



### Wiring Diagram 10BA...(S1) Auxiliary Switch

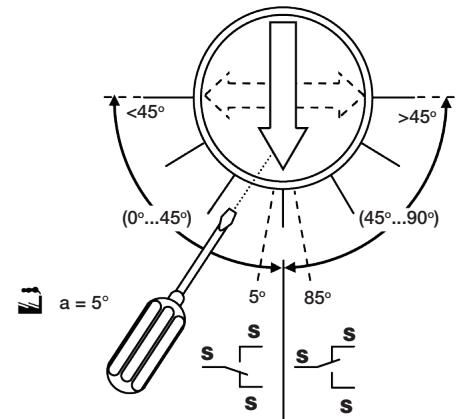


3 (1.5) A, AC 250 V  
Actuator at 0°

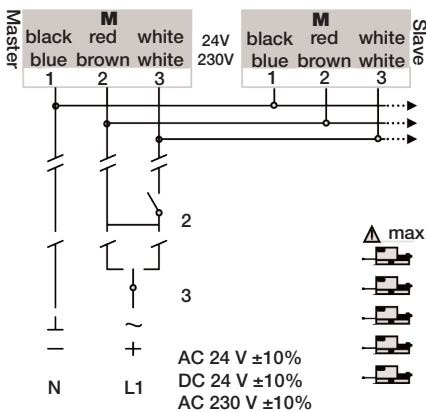
### Adjustment of Auxiliary Switch 10BA...(S1)

Switch a factory-set at 5°

The auxiliary switch can be optimally adjusted between 0°...90°.



### Wiring Diagram 10BA...(S1) Parallel Connection

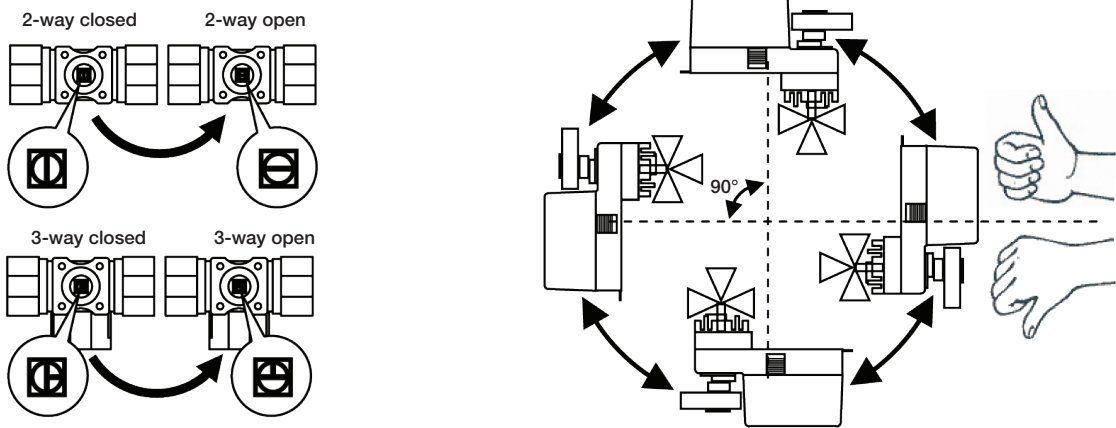
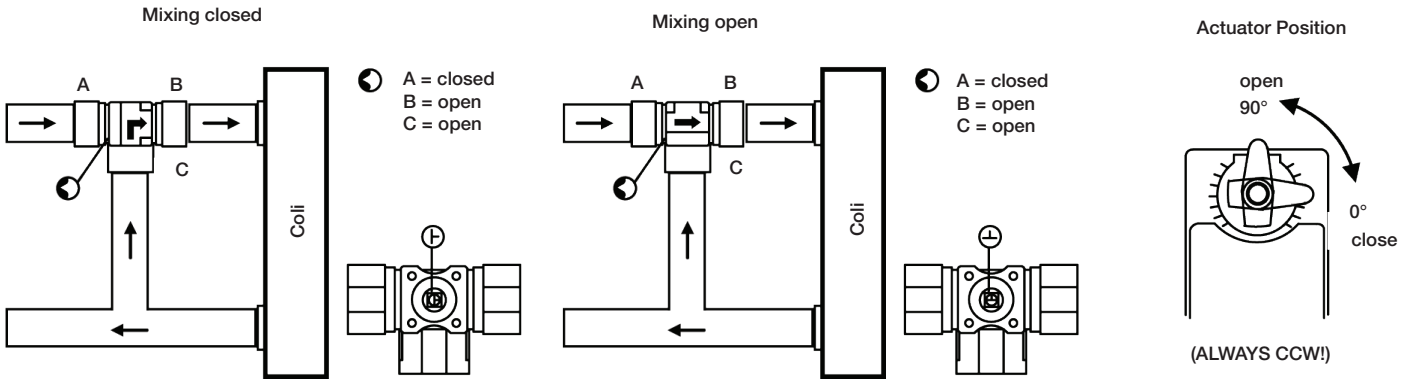





### Remark

Parallel connection of several 10BA...(S1) actuators is possible. The power consumption must be observed.

# BA Series I Ball Valve Actuator 10 Nm

2 Points and 3 Points Control



-  This actuator includes electrical and electronic components and may not be disposed as household garbage. Please consider the local valid legislation.
-  AC / DC 24 V: Connect via safety isolating transformer.
-  AC 230 V: To isolate from the main power supply, the system must incorporate a device which disconnects the phase conductor (with at least a 3 mm contact gap).