



BM Series | Ball Valve Actuator 10 Nm

Modulating Control



PRODUCT FEATURES

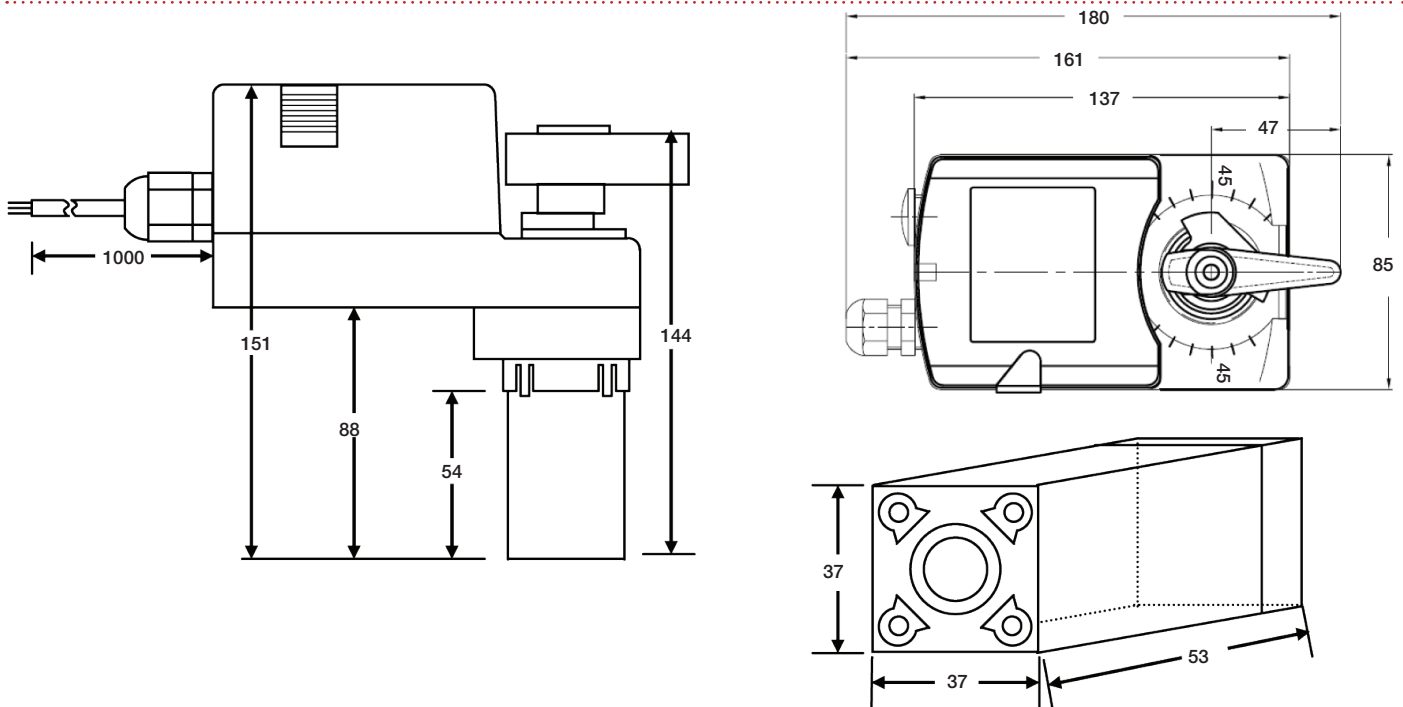
- Torque 10 Nm
- Valve size DN40(1½"), DN50(2")
- Power Supply AC/DC 24 V
- Control Modulating DC 0(2)...10 V
- 1 adjustable auxiliary switch (SPDT)
- Shaft dimensions
 - □ 9.0 mm square (fixed)
- Selectable direction of rotation
- Actuator with 1000 mm cable connection
- Customer version on request

MODEL SELECTION TABLE


Torque	Running Time	Power Supply	Auxiliary Switch	Model / Type
10 Nm	100...150 sec	AC/DC 24 V ± 10%	No	10BM - 24
10 Nm	100...150 sec	AC/DC 24 V ± 10%	1 x SPDT	10BM - 24S1

BM Series | Ball Valve Actuator 10 Nm

Modulating Control



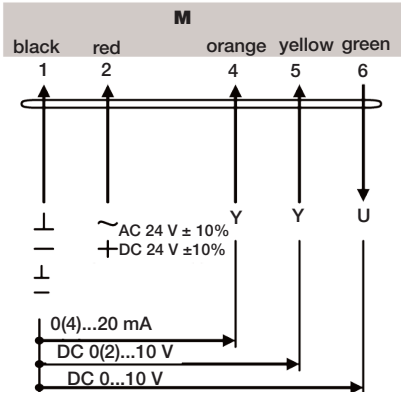
TECHNICAL SPECIFICATION

	10BM...(S1)
Torque	10 Nm
Valve Size	DN40(1½"), DN50(2")
Shaft dimensions	□ 9.0 mm square (fix)
Power Supply	AC/DC 24 V ± 10%
Frequency	50 - 60 Hz
Control Signal (Input)	DC 0(2)...10 V
Position Signal (Output)	DC 0...10 V
Power Consumption	
- Operating	6.0 W
- End Position	2.0 W
For Wire Sizing	6.5 VA
Protection Class	III 
Angle of Rotation	0°...90° (95° mechanical)
Angle of Limiting	mechanical end stop
Weight	< 1.1 Kg
Life Cycle	60,000 rotation
Sound Level	40 dB (A)
IP Protection	IP54 (dust protected & protected against splash water)
Operating Temperature	-20°...+50° C / IEC 721-3-3
Non-Operating Temperature	-30°...+60° C / IEC 721-3-2
Ambient Humidity	5%...95% rH non condensing / EN 60730-1
Maintenance	Maintenance free
Mode of Operation	Type I / EN 60730-1
EMC	CE according to 89 / 336 / EEC

BM Series | Ball Valve Actuator 10 Nm

Modulating Control

Wiring Diagram 10BM...(S1) Power Supply AC/DC 24 V

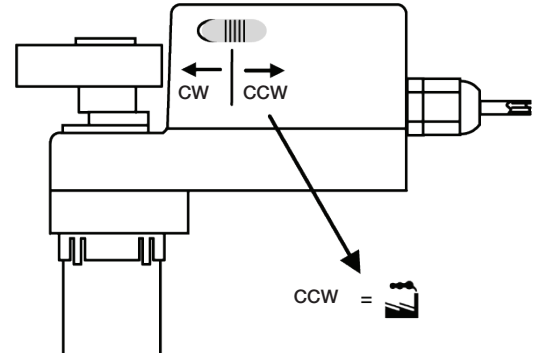


Changing Direction of Rotation 10BM...(S1)

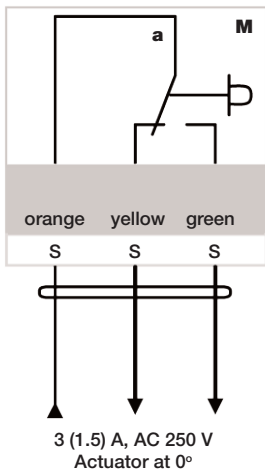
Factory-set CCW!

The direction of rotation can be changed by pushing the CW/CCW switch on the actuator's housing.

Ball valve actuators must operate CCW!



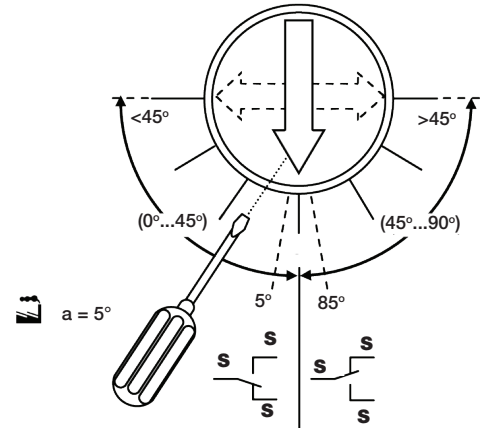
Wiring Diagram 10BM...(S1) Auxiliary Switch



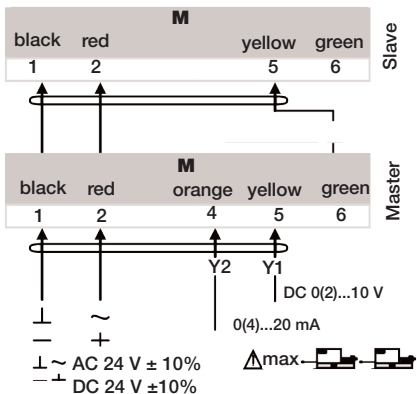
Adjustment of Auxiliary Switch 10BM...(S1)

Switch a factory-set at 5°

The auxiliary switch can be optimally adjusted between 0°...90°.



Wiring Diagram 10BM...(S1) Parallel Connection



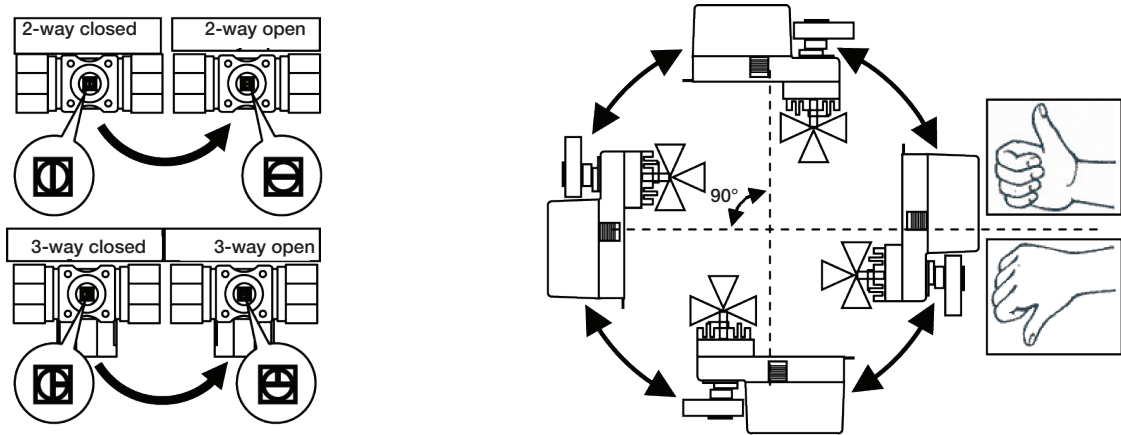
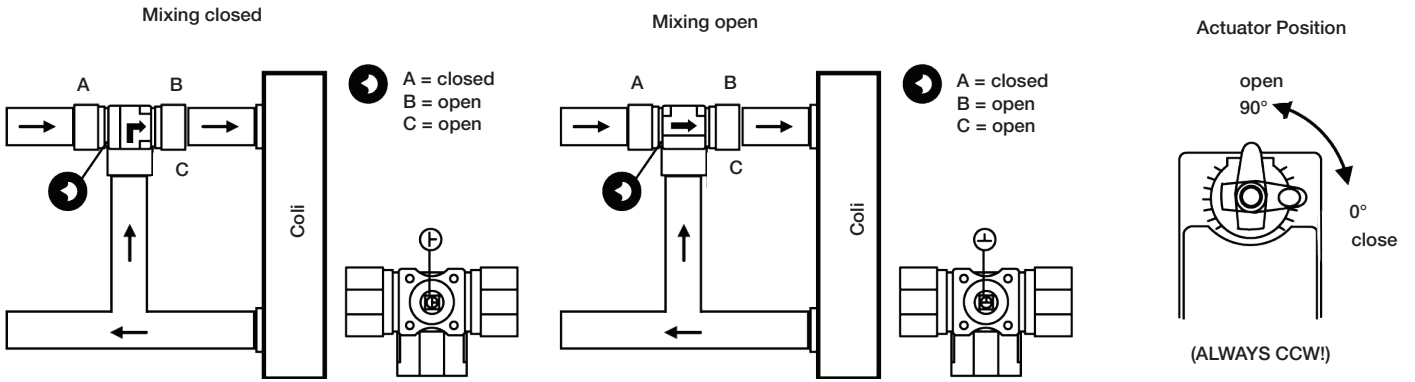
Remark

When 10BM...(S1) actuators operate in parallel, the output signal U = DC 0...10 V (terminal 6) of the master actuator must be connected to terminal 5 of the next slave actuator.

The power consumption must be observed.

BM Series | Ball Valve Actuator 10 Nm

Modulating Control



- This actuator includes electrical and electronic components and may not be disposed as household garbage. Please consider the local valid legislation.
- AC / DC 24 V: Connect via safety isolating transformer.
- AC 230 V: To isolate from the main power supply, the system must incorporate a device which disconnects the phase conductor (with at least a 3 mm contact gap).