



CM Series | Damper Actuator 40 Nm

Modulating Control



PRODUCT FEATURES

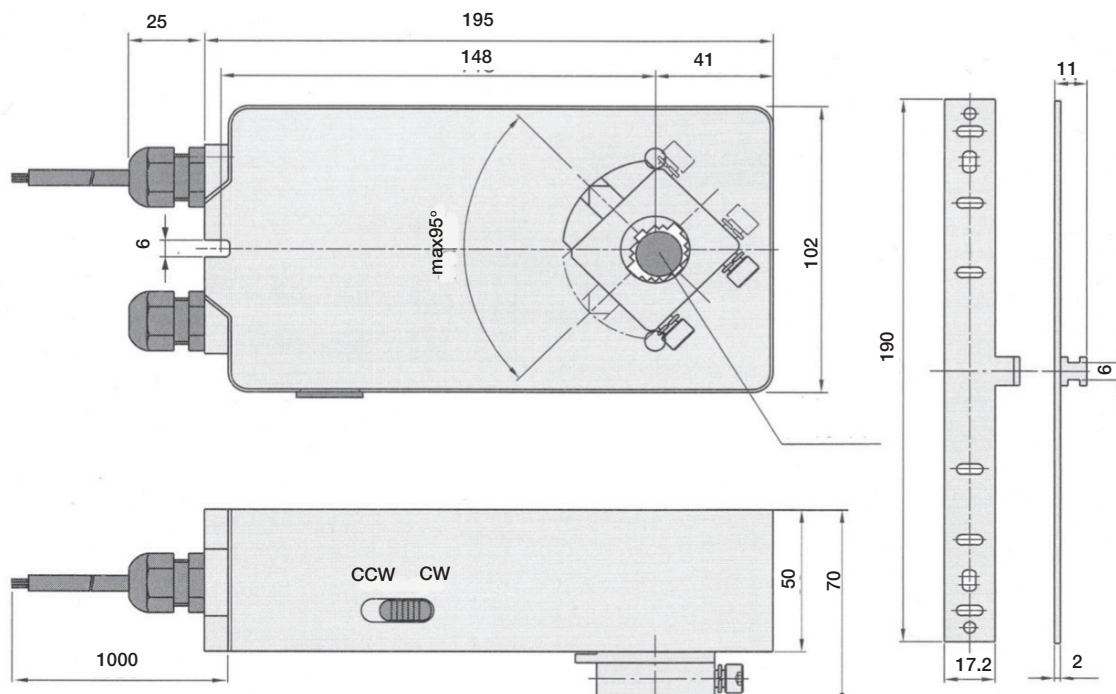
- For Air control dampers up to approx. 7.0m²
- 0(2)...10VDC and 0(4)...20 mA control
- Torque 40 Nm
- Nominal Voltage AC/DC 24V and AC 230V
- 2 Adjustable SDPT Auxiliary switches
- Shaft dimensions:
 - Ø 12 to 20 mm round / □ 12 to 14 mm square
- Minimum shaft length 45 mm
- Selectable Direction of rotation CW/CCW
- Adjustable angle of rotation
- Actuator with 1m cable connection
- Customer version on request

MODEL SELECTION TABLE

Torque	Running Time	Power Supply	Auxiliary Switch	Model / Type
40 Nm	80..150 sec	AC/DC 24V ±10%	No	40CM - 24
			2 x SPDT	40CM - 24S2
40 Nm	80..150 sec	AC 230V ±10%	No	40CM - 230
			2 x SPDT	40CM - 230S2

CM Series | Damper Actuator 40 Nm

Modulating Control



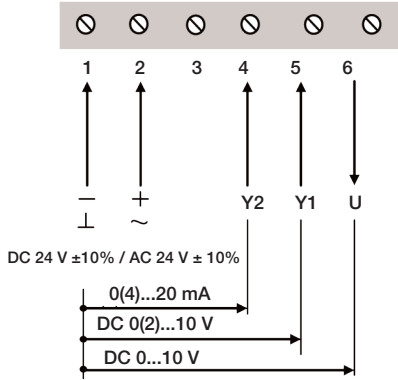
TECHNICAL SPECIFICATION

	40CM...24(S2)	40CM...230(S2)
Torque		40 Nm
Damper Size		7.0 m ²
Power Supply	AC/DC 24 V	AC 230V ±10%
Frequency		50...60Hz
Power Consumption		
-Operating		5 ... 8 VA
-At the end stops		1.0 ... 2.5 VA
For wire sizing		8.0 VA
Auxiliary Switches Rating (Amp and Voltage)		3 (1.5) A / 250 V (for 24 V and 250 V)
Protection Class	III	III
Controls Signal Y1		0(2)...10 VDC
Controls Signal Y2		0(4)...20 mA
Controls Signal U		0(2)...10 VDC
Angle of Rotation		0°... 90° (95° mechanical)
Weight		2.0 Kg
Life Cycle		60,000 rotation
Sound Level		40 dB (A)
IP Protection		IP54
Operating Temperature		-20°...50°C as per IEC 721-3-3
Non-Operating Temperature		-30°...60°C as per IEC 721-3-2
Ambient Humidity		5...95% rH non condensing / EN 60730-1
Maintenance		Maintenance free
Mode of Operation		Type 1 / EN60730-1
EMC		CE according to 89 / 336 EEC

CM Series | Damper Actuator 40 Nm

Modulating Control

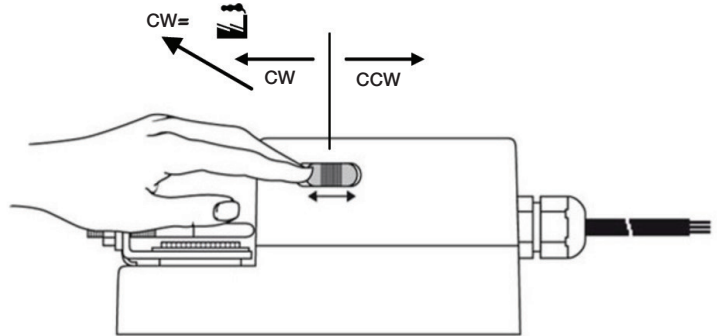
Wiring Diagram 40CM...(S2) Power Supply AC/DC 24V



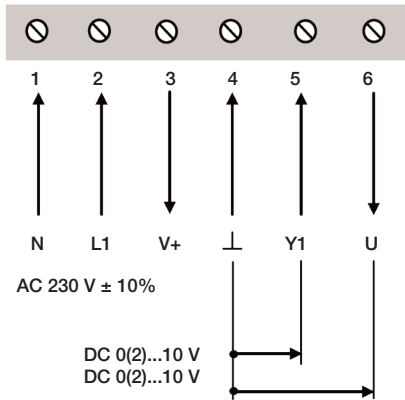
Changing Direction of Rotation 40CM...(S2)

Factory-set CW!

The direction of rotation can be changed by pushing the CW/CCW switch on the actuator's housing.



Wiring Diagram 40CM...(S2) Power Supply AC 230V

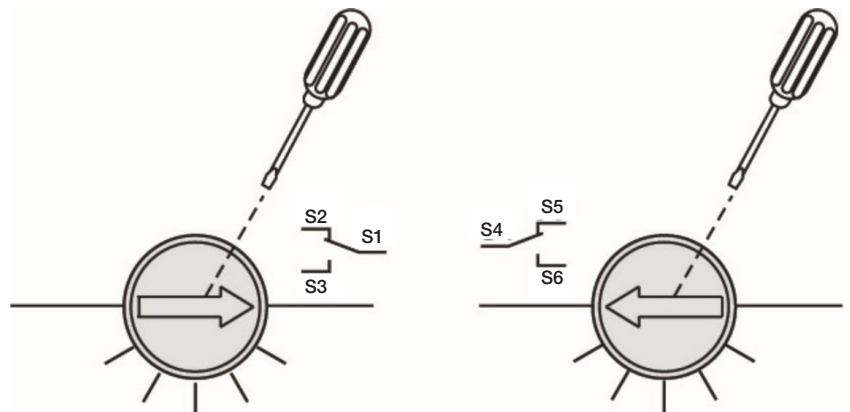
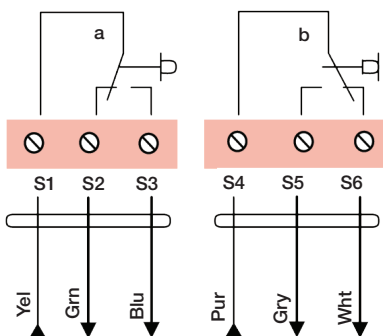


Adjusting control signals 40CM...(S2)

Control Signal5 DC 0...10V
Input Resistance Ri100 k Ohm
Factory default setting

Control Signal 5 DC 2...10V
Input Resistance Ri 500 Ohm
On Request

Auxillary Switches

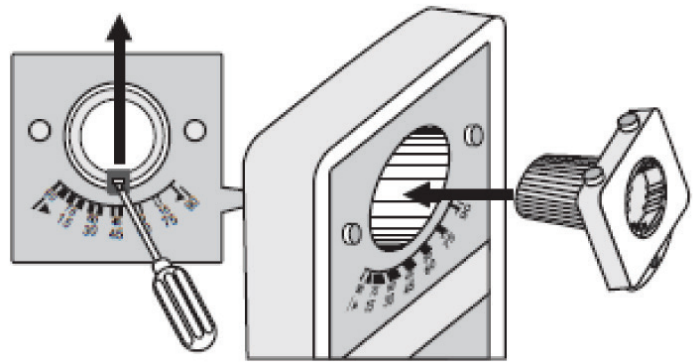


CM Series | Damper Actuator 40 Nm

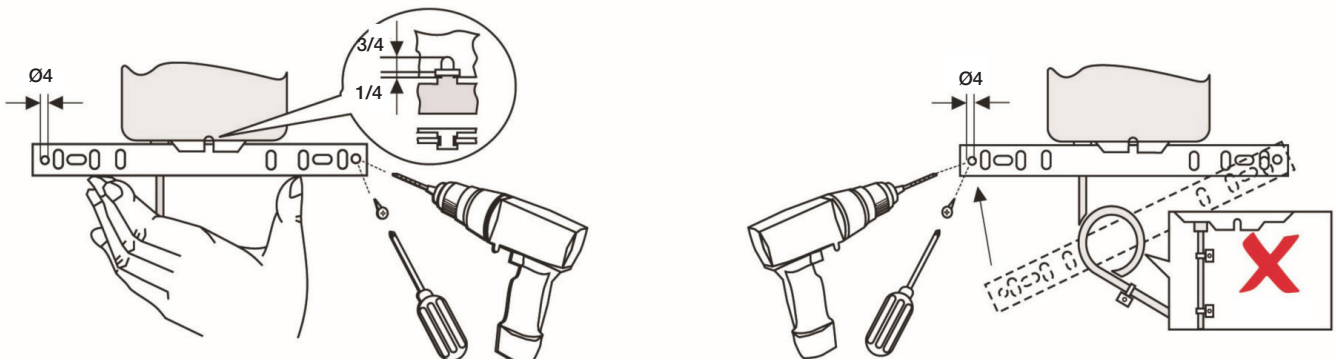
Modulating Control

Adjusting the Limits for Rotation

Removing the Spindle Connector



Installation / Mounting Instruction



This actuator includes electrical and electronic components and may not be disposed as household garbage. Please consider the local valid legislation.



AC / DC 24 V: Connect via safety isolating transformer.

AC 230 V: To isolate from the main power supply, the system must incorporate a device which disconnects the phase conductor (with at least a 3 mm contact gap).