



SFA Series | Spring Return 8 Nm

Fire and Smoke 2 Point on/off



PRODUCT FEATURES

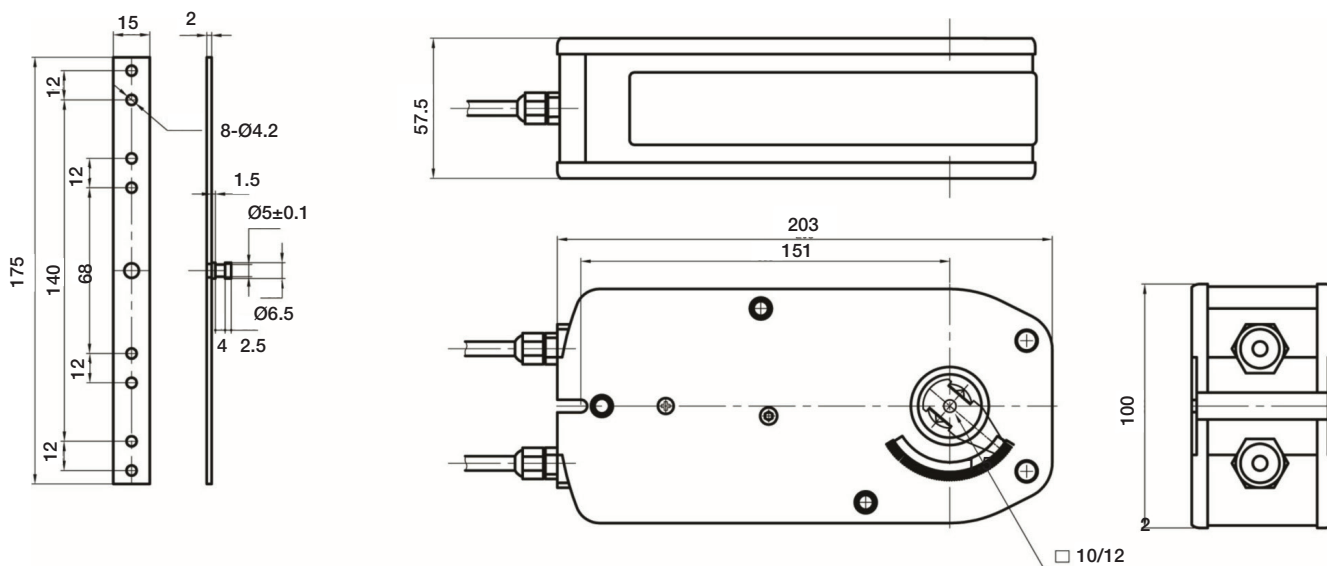
- 2 points on/off control
- Damper Size up to 1.5 m²
- Voltage AC/DC 24V and AC 230V available
- Shaft dimension Form Fit 12mm square
- Adapter supplied for Form Fit 8 or 10 mm square
- Manual Over ride by crank handle when required
- Anti-rotation bracket provided for stability
- Selectable direction of rotation by reversing actuator
- 2 SPDT Fixed auxiliary switches as Standard
- Energy saving at end stops
- Actuators with 1m cable connection
- Thermal Sensor when requested
- Customised version available on request

MODEL SELECTION TABLE

Torque	Running Time	Power Supply	Auxiliary Switch	Model / Type	Thermal Sensor
8 Nm	75...95 sec	AC/DC 24V	2 x SPDT	08SFA - 24S2	No
	Spring Back <25 sec			08SFA - 24S2T	Yes
8 Nm	75...95 sec	AC 230V ±10%	2 x SPDT	08SFA - 230S2	No
	Spring Back <25 sec			08SFA - 230S2T	Yes

SFA Series I Spring Return 8 Nm

Fire and Smoke 2 Point on/off



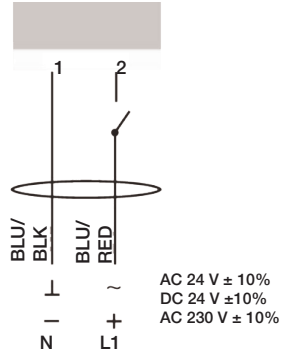
TECHNICAL SPECIFICATION

	08SFA... 24S2(T)	08SFA... 230S2(T)
Torque – Motor (Rated Voltage)		Min. 8 Nm
– Spring		Min. 8 Nm
Damper Size		1.5 m ²
Power Supply	AC/DC 24 V	AC 230 V ±10%
Frequency		50...60Hz
Power Consumption		
-Operating	2.0 W	5.5 W
-At the end stops	10.0 VA	10.0 VA
For wire sizing		10.0 VA
Auxiliary Switches Rating (Amp and Voltage)	3 (1.5) A / 230 V (for 24 V and 230 V)	
Protection Class	II (for 24 V and 230 V)	
Controls Signal	2 Point On/Off	
Angle of Rotation	90° (95° mechanical)	
Thermal Temperature Trip	>72° Celsius	
Weight	2.2 Kg	2.3 Kg
Life Cycle	60,000 rotation	
Sound Level	Max. 45 dB (A)	
IP Protection	IP54	
Ambient Temperature	-20°...+50° as per IEC 721-3-3	
Inventory Temperature	-30°...+60°C / IEC 721-3-2	
Ambient Humidity	5...95% rH non condensing	
Maintenance	Maintenance free	
Certification	CE and ISO 9000 EN / EEC... Requirements	

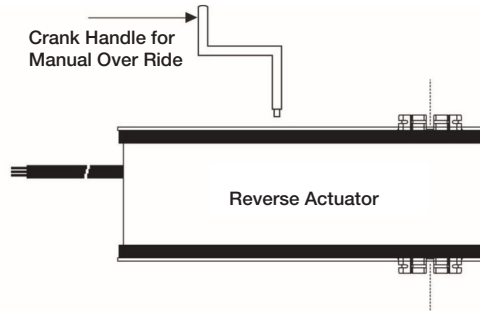
SFA Series | Spring Return 8 Nm

Fire and Smoke 2 Point on/off

Wiring Diagram 08SFA...S2(T)



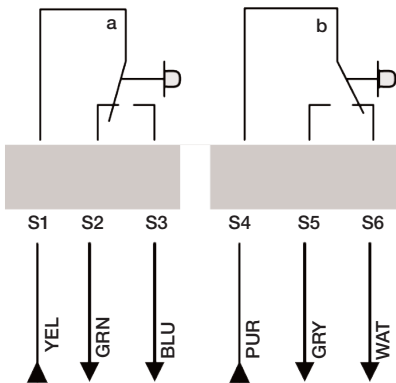
Changing Direction of Rotation 08SFA...S2(T)



AC/DC 24V:
AC 230V:

Connect via safety isolating transformer.
To isolate from the main power supply, the system must incorporate a device which disconnects the phase conductors (with a least a 3 mm contact gap)

Auxiliary Switches 08SFA...S2(T)



Auxiliary Switches 08SFA...S2(T)

Auxiliary are fixed at 5° for switch (a) and 85° for switch (b) Auxiliary Switches are Non adjustable.

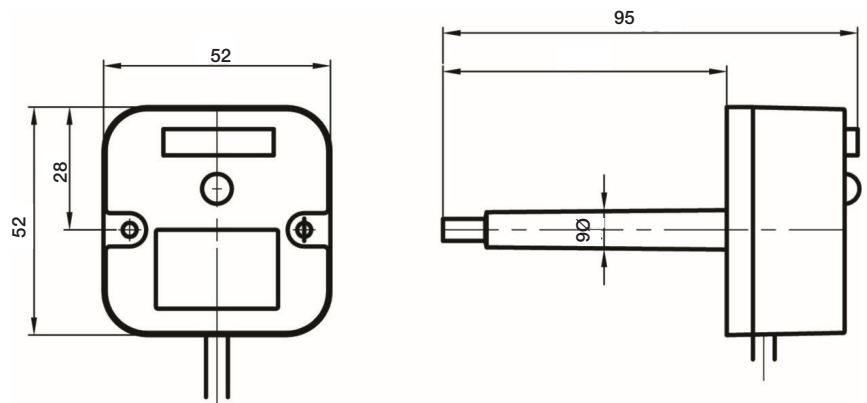
Thermal Sensor NTS 72

Thermal Sensor NTS 72 consist of both Ambient (TS1) and Duct sensor (TS2).

TS1 will trip open when the ambient temperature rise above 72°.

TS2 will trip open when the duct temperature rise above 72°.

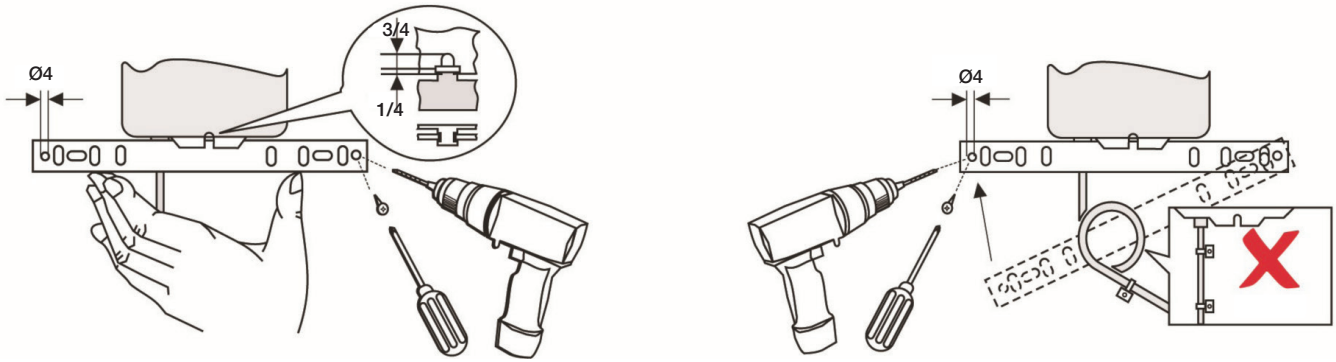
Thermal Sensor NTS72



SFA Series | Spring Return 8 Nm

Fire and Smoke 2 Point on/off

Installation / Mounting Instruction



This actuator includes electrical and electronic components and may not be disposed as household garbage. Please consider the local valid legislation.



AC / DC 24 V: Connect via safety isolating transformer.

AC 230 V: To isolate from the main power supply, the system must incorporate a device which disconnects the phase conductor (with at least a 3 mm contact gap).