



FA Series | Spring Return 5 Nm

2 Point on/off Control



PRODUCT FEATURES

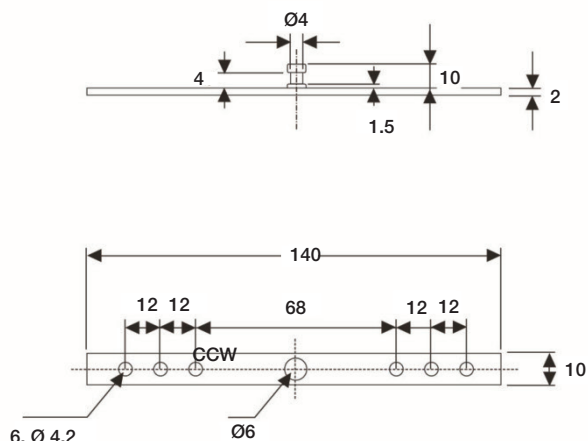
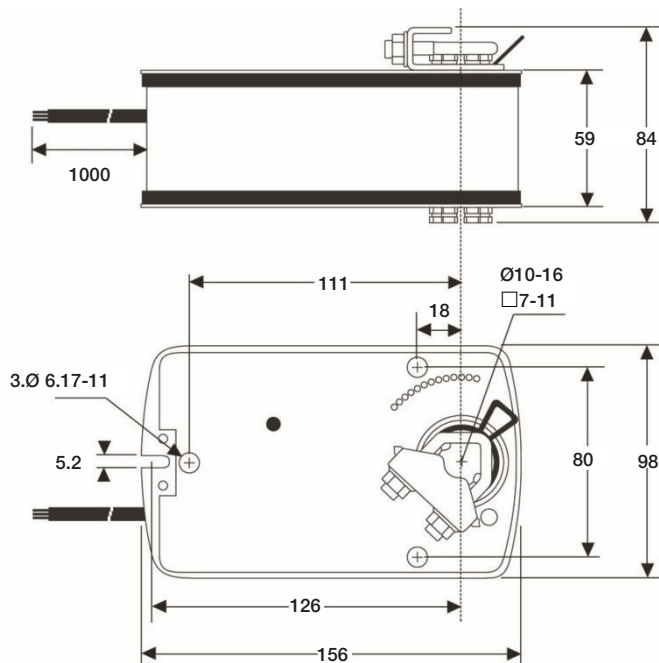
- 2 points on/off control
- Damper Size up to 1.0 m²
- Voltage AC/DC 24V and AC 230V available
- Universal Spindle Clamp for easy direct mounting
- Shaft dimensions
 - Ø10...16 mm / □ 7...11 mm square
- Minimum Shaft Length 40mm
- Anti-rotation bracket provided for stability
- Adjustable angle of rotation
- Selectable direction of rotation by reversing actuator
- 1 adjustable SPDT auxiliary switches when requested

MODEL SELECTION TABLE

Torque	Running Time	Power Supply	Auxiliary Switch	Model / Type
5 Nm	50...70 sec	AC/DC 24V	No	05FA - 24
	Spring Back <20 sec		1 x SPDT	05FA - 24S1
5 Nm	50...70 sec	AC 230V ±10%	No	05FA - 230
	Spring Back <20 sec		1 x SPDT	05FA - 230S1

FA Series | Spring Return 5 Nm

2 Point on/off Control



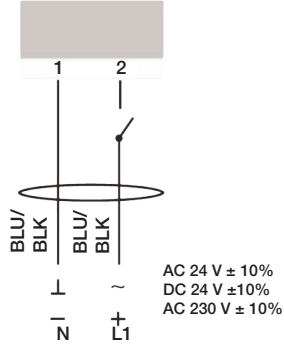
TECHNICAL SPECIFICATION

	05FA... 24(S1)	05FA... 230(S1)
Torque – Motor (Rated Voltage)		Min. 5 Nm
– Spring		Min. 5 Nm
Damper Size		1.0 m ²
Power Supply	AC/DC 24 V	AC 230 V ±10%
Frequency		50...60Hz
Power Consumption		
-Operating	7.2 W	4.2 W
-At the end stops	4.2 W	2.5 W
For wire sizing		10.0 VA
Auxiliary Switches Rating (Amp and Voltage)	3 (1.5) A / 230 V (for 24 V and 230 V)	
Protection Class	II (for 24 V and 230 V)	
Controls Signal	2 Point On/Off	
Angle of Rotation	90° (95° mechanical)	
Angle of Rotation Limiting	5°...85° in 5° step	
Weight	1.8 Kg	
Life Cycle	60,000 rotation	
Sound Level	Below 45 dB	
IP Protection	IP54	
Ambient Temperature	-20°...50° as per IEC 721-3-3	
Ambient Humidity	5...95% RH	
Inventory Temperature	+70° as per 721-3-2	
Maintenance	Maintenance free	
Certification	CE and ISO 9000 EN... Requirements	

FA Series | Spring Return 5 Nm

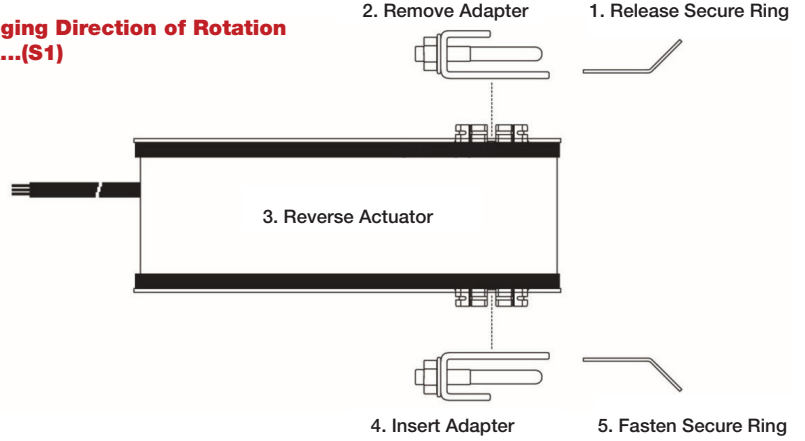
2 Point on/off Control

Wiring Diagram 05FA...(S1)



S1 ON 0° → 90°
OFF 0° → 90°

Changing Direction of Rotation 05FA...(S1)

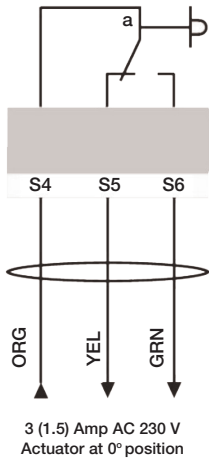


AC/DC 24V:
AC 230V:

Connect via safety isolating transformer.

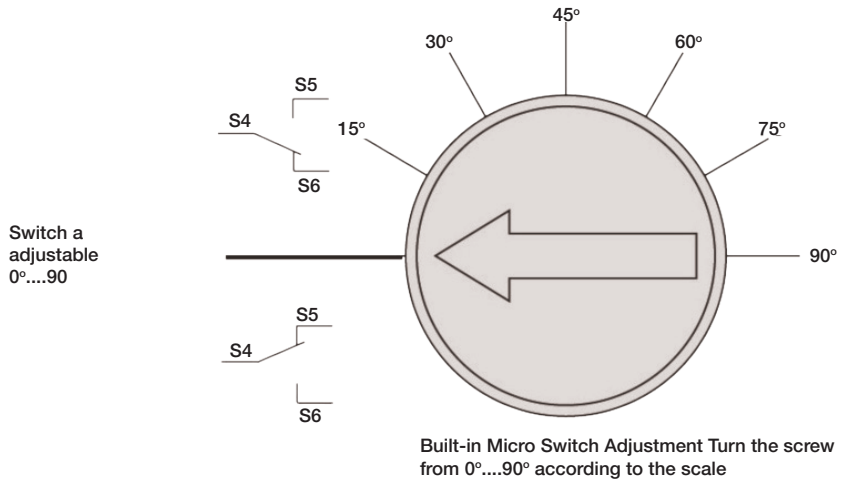
To isolate from the main power supply, the system must incorporate a device which disconnects the phase conductors (with a least a 3 mm contact gap)

Auxiliary Switches 05FA...(S1)



3 (1.5) Amp AC 230 V
Actuator at 0° position

Auxiliary Switches adjustment 05FA...(S1)



Built-in Micro Switch Adjustment Turn the screw from 0°....90° according to the scale

Wiring Diagram NACM 1.2... Angle of Rotation Limiting

For 5° to 45° Adjustment (Diagram 1)

1. Loosen Screw of the mechanical limiter plate.
2. Move the limiter plate to the appropriate position.
3. Tighten the screw.

For 45° to 85° Adjustment (Diagram 2)

1. Release the secure ring of the adapter.
2. Remove the adapter and turn negative 45° as shown.
3. Insert adapter and secure the adapter ring.
4. Loosen Screw of the mechanical limiter plate
5. Move the limiter plate to the appropriate position
6. Tighten the screw

Angle of Rotation Limiting 5° to 85° adjustment

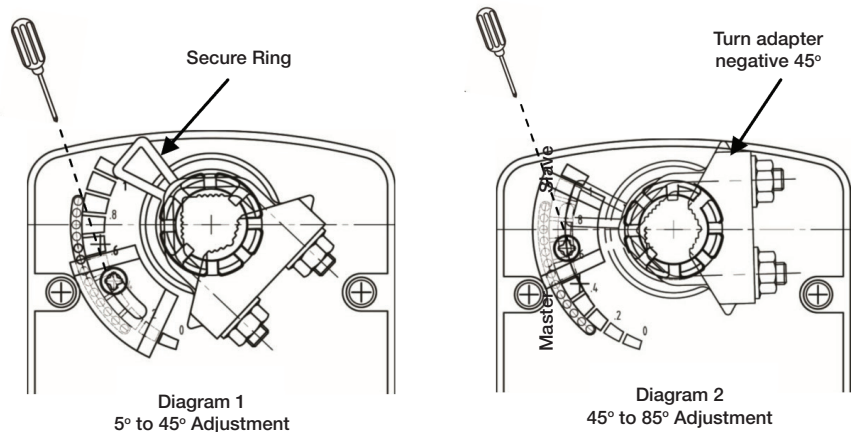


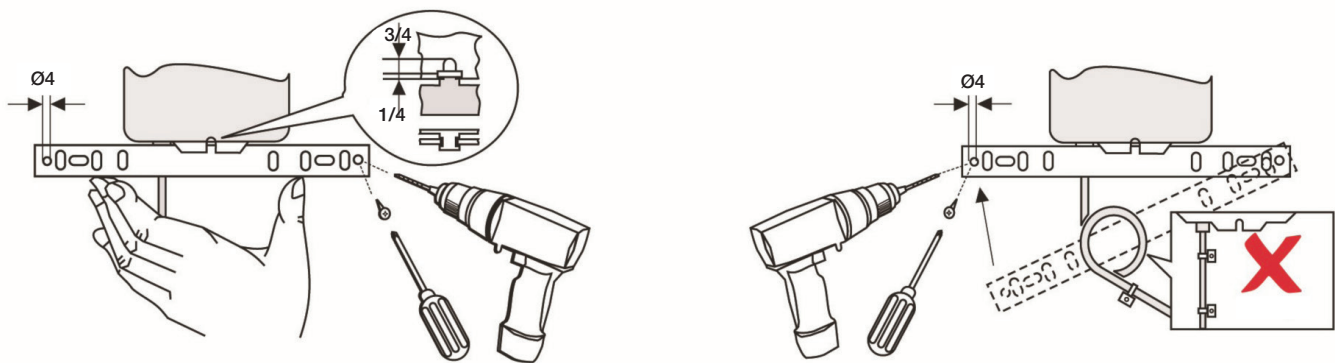
Diagram 1
5° to 45° Adjustment

Diagram 2
45° to 85° Adjustment

FA Series | Spring Return 5 Nm

2 Point on/off Control

Installation / Mounting Instruction



This actuator includes electrical and electronic components and may not be disposed as household garbage. Please consider the local valid legislation.



AC / DC 24 V: Connect via safety isolating transformer.

AC 230 V: To isolate from the main power supply, the system must incorporate a device which disconnects the phase conductor (with at least a 3 mm contact gap).