



## FA Series | Spring Return 8 Nm

2 Point on/off Control



### PRODUCT FEATURES

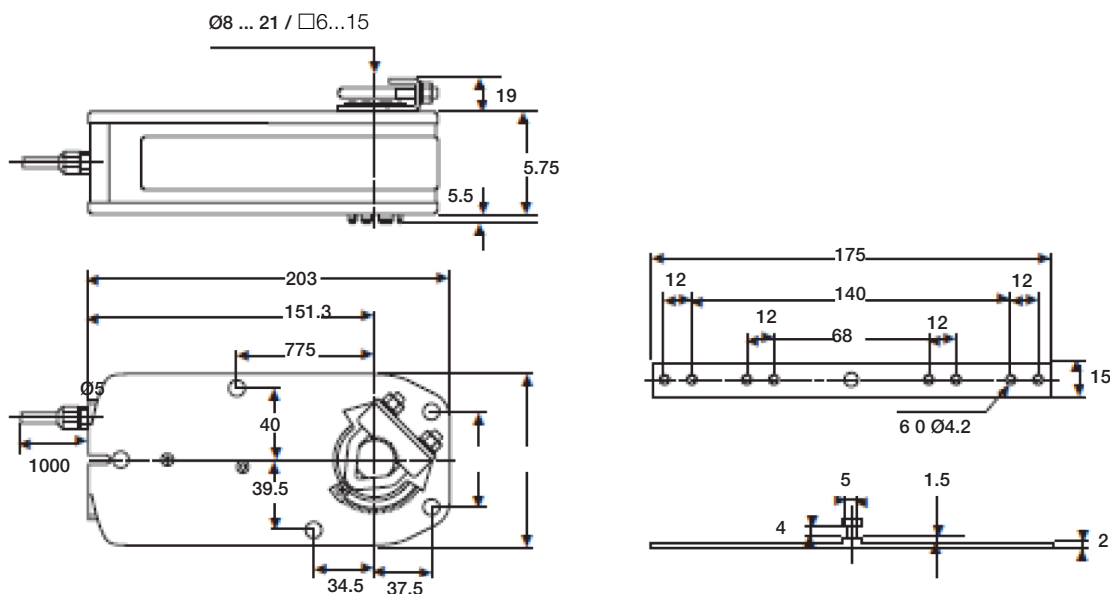
- 2 points on/off control
- Damper Size up to 1.0 m<sup>2</sup>
- Voltage AC/DC 24V and AC 230V available
- Universal Spindle Clamp for easy direct mounting
- Shaft dimension Ø10...20 mm / □ 7...14 mm square
- Minimum Shaft Length 40mm
- Anti-rotation bracket provided for stability
- Adjustable angle of rotation
- Selectable direction of rotation by reversing actuator
- 1 fixed and 1 adjustable SPDT auxiliary switches when requested

### MODEL SELECTION TABLE

Torque	Running Time	Power Supply	Auxiliary Switch	Model / Type
8 Nm	70 sec	AC/DC 24V	No	08FA - 24
	Spring Back <25 sec		2 x SPDT	08FA - 24S2
8 Nm	70 sec	AC 230V ±10%	No	08FA - 230
	Spring Back <25 sec		2 x SPDT	08FA - 230S2

## FA Series | Spring Return 8 Nm

2 Point on/off Control



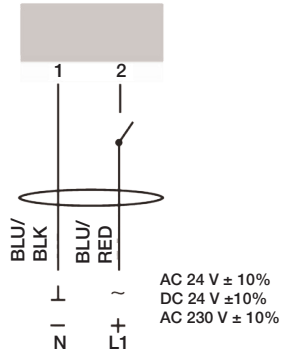
### TECHNICAL SPECIFICATION

	08FA... 24(S2)	08FA... 230(S2)
<b>Torque</b>		8 Nm
<b>Damper Size</b>		1.5 m <sup>2</sup>
<b>Power Supply</b>	AC/DC 24 V	AC 230 V ±10%
<b>Frequency</b>		50...60Hz
<b>Power Consumption</b>		
-Operating	7.0 W	8.0 W
-At the end stops	2.0 W	5.5 W
<b>For wire sizing</b>		8.0 VA
<b>Auxiliary Switches Rating (Amp and Voltage)</b>	3 (1.5) A / 230 V (for 24 V and 230 V)	
<b>Protection Class</b>	II (for 24 V and 230 V)	
<b>Controls Signal</b>	2 Point On/Off	
<b>Angle of Rotation</b>	-5...+90° (mechanical)	
<b>Angle of Rotation Limiting</b>	Mechanical end stops	
<b>Weight</b>	2.2 Kg	
<b>Life Cycle</b>	60,000 rotation	
<b>Sound Level</b>	Below 45 dB (A)	
<b>IP Protection</b>	IP54	
<b>Ambient Temperature</b>	-20°...+50° as per IEC 721-3-3	
<b>Inventory Temperature</b>	-30°...+60°C / IEC 721-3-2	
<b>Ambient Humidity</b>	5...95% rH non condensing	
<b>Maintenance</b>	Maintenance free	
<b>Impact</b>	Typ I / EN 60730-1	
<b>Standardize</b>	89/336/CE	

# FA Series | Spring Return 8 Nm

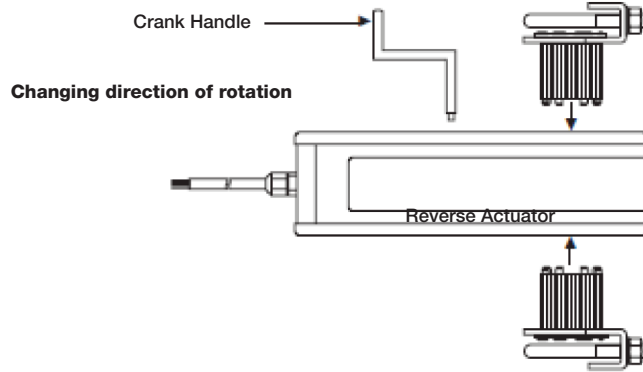
## 2 Point on/off Control

### Wiring Diagram 08FA...(S2)



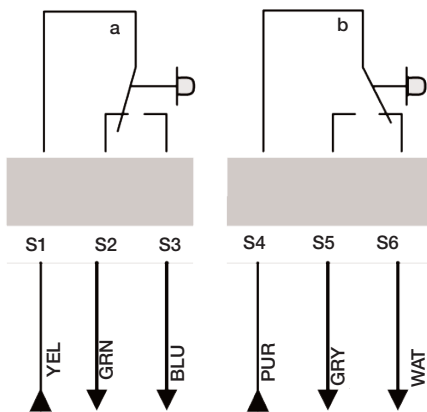
S1 ON 0° → 90°  
OFF 0° → 90°

### Changing Direction of Rotation 08FA...(S2)

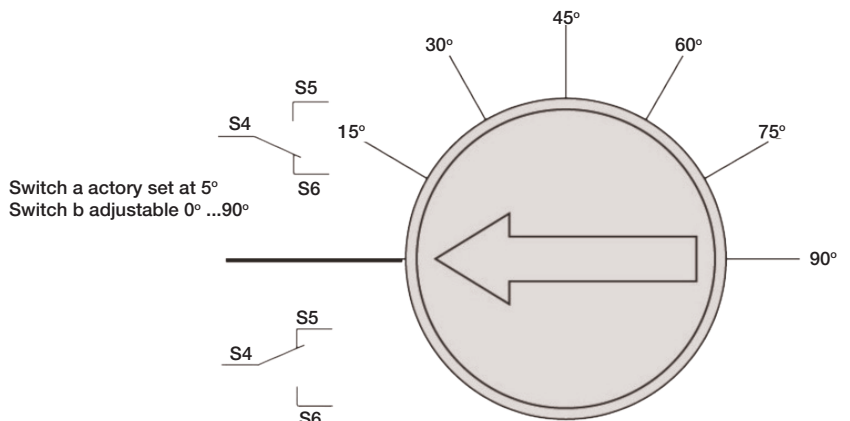


⚠ AC/DC 24V: Connect via safety isolating transformer.  
AC 230V: To isolate from the main power supply, the system must incorporate a device which disconnects the phase conductors (with a least a 3 mm contact gap)

### Auxiliary switches 08FA...(S2)



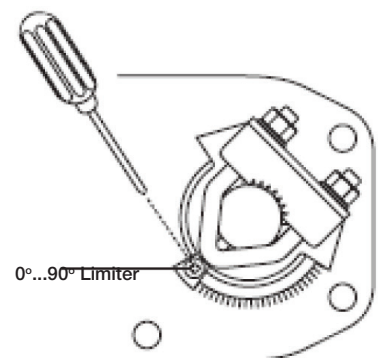
### Auxiliary Switches adjustment 08FA...(S2)



Built-in Micro Switch Adjustment (for NAFA)  
Move the screw of the microswitch

### Angle of Rotation Limiting

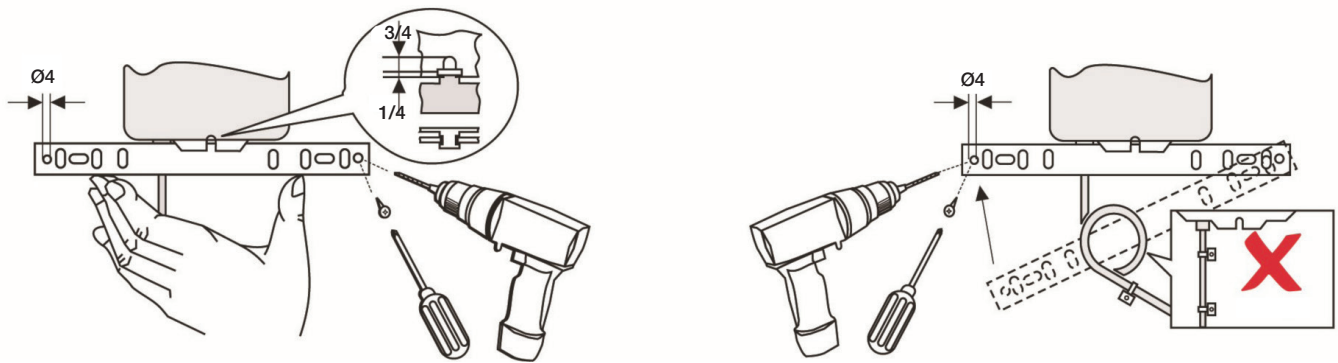
- Mechanical Limited Adjustment
1. Loosen screw of the mechanical limited.
  2. Move the limited to the appropriate position.
  3. Tighten on the screw.



## FA Series | Spring Return 8 Nm

2 Point on/off Control

### Installation / Mounting Instruction



This actuator includes electrical and electronic components and may not be disposed as household garbage. Please consider the local valid legislation.



AC / DC 24 V: Connect via safety isolating transformer.

AC 230 V: To isolate from the main power supply, the system must incorporate a device which disconnects the phase conductor (with at least a 3 mm contact gap).